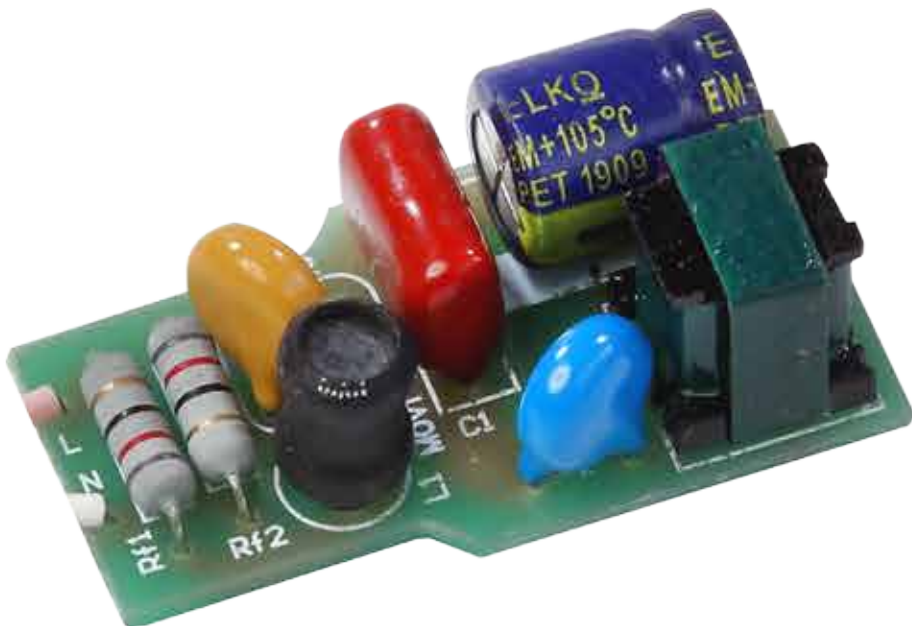


 **LUMENS**
TECHNOLOGIES
Empowering Technologies. Enabling Solutions

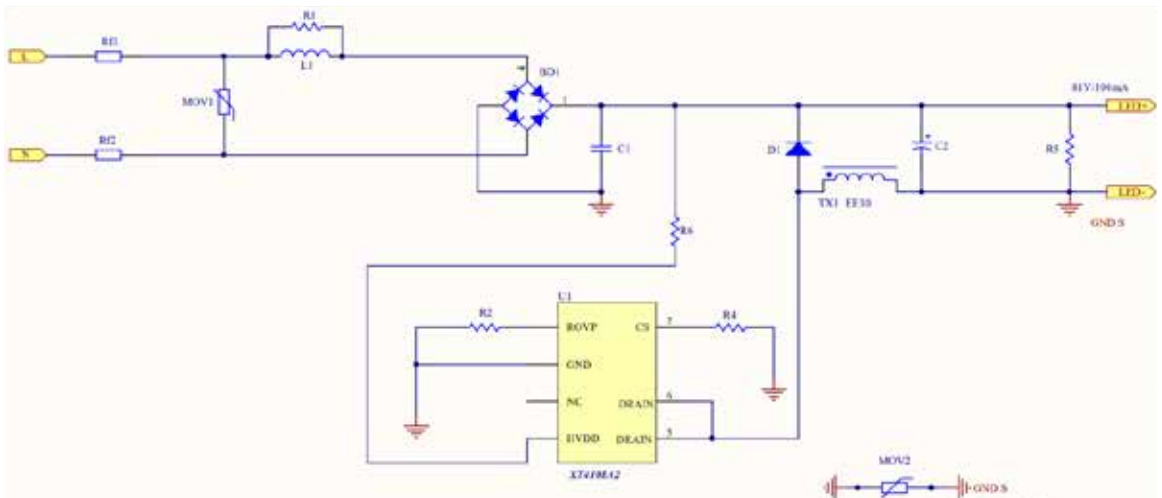
9W-81V/95mA BULB DRIVER



General Specification

Solution	XT4101A2
AC Input	90~300VAC
DC Output	45-81V/95mA
Efficiency	>88%@230VAC
Power Factor	0.98 @81V 95mA
Over Voltage Foldback	>330VAC
Under Voltage Foldback	<185VAC
Max. Withstanding Voltage	440VAC
Surge	4KV

Schematic



Bill Of Material

SR. NO.	PART	DESCRIPTION	SCHEMATIC REFERENCE	QUANTITY
1	MOV	7D511K	MOV2	1
3	POLY CAP	47nF/630V	C1	1
4	FUSE	82R/TH 1W	RF1,RF2	2
5	BRIDGE RECFR	MB10F	BD1	1
6	ELCO	47uF/100V	C2	1
7	DIODE	ES1JF	D1	1
8	RESISTOR	5.1K 1206 5%	R1	1
9	RESISTOR	240K 1206 1%	R2	1
10	RESISTOR	300K 1206 5%	R5	1
11	RESISTOR	2R 1206 1%	R4	1
12	RESISTOR	22K 1206 5%	R6	1
13	IC	XT4101A2	U1	1
14	TX	EE10(2+2) 2.1mH +/- 5%	L1	1
15	DRUM INDUCTOR	6X8mm 5mH	L2	1
16	PCB	CEM 1, 1.6MM 22X40mm		1
			TOTAL	17

Electricals Parameters

AC REGULATION

AC/V	AC/I (mA)	AC/W	PF	THD	DC/V	DC/I (mA)	DC/W	EFF(%)
150	37	5.4	0.96	21	81	58	4.7	86
230	38	8.7	0.96	12	81	93	7.6	87
260	34	8.7	0.97	12	81	95	7.7	87
300	30	8.8	0.97	13	81	95	7.7	87

DC REGULATION@230

230	38	8.7	0.96		81	93	7.6	87
	33	7.8	0.99		72	94	6.8	87

FOLDBACK VOLTAGE : 185Vac

NO LOAD VOLTAGE : 110VDC

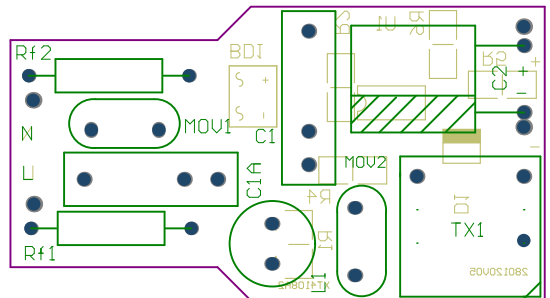
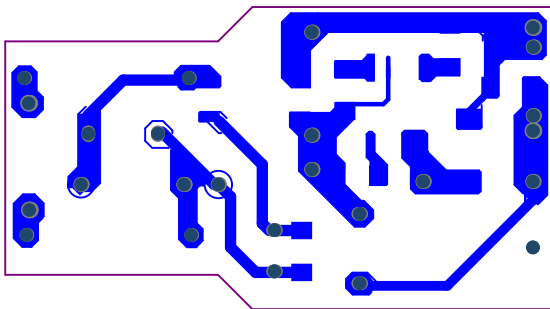


Inductor Details

CORE EE10(4+4)					
WINDING	TURNS	PIN	WIRE GAUGE(SWG/mm)	INDUCTANCE	
N1	269	4-5	0.18mm	PRI INDUCTANCE (PIN 4-5) 2.1mH	



PCB layout



Surge Report

SURGE VOLTAGE	ANGLE	POSITIVE/NEGATIVE	NO. OF PULSE	INTERVAL(SEC)	PASS/FAIL	
3KV	0	+	5	40	PASS	
		-	5	40	PASS	
	90	+	5	40	PASS	
		-	5	40	PASS	
	180	+	5	40	PASS	
		-	5	40	PASS	
	270	+	5	40	PASS	
		-	5	40	PASS	
	3.5KV	0	+	5	40	PASS
			-	5	40	PASS
90		+	5	40	PASS	
		-	5	40	PASS	
180		+	5	40	PASS	
		-	5	40	PASS	
270		+	5	40	PASS	
		-	5	40	PASS	
4KV		0	+	5	40	PASS
			-	5	40	PASS
	90	+	5	40	PASS	
		-	5	40	PASS	
	180	+	5	40	PASS	
		-	5	40	PASS	
	270	+	5	40	PASS	
		-	5	40	PASS	